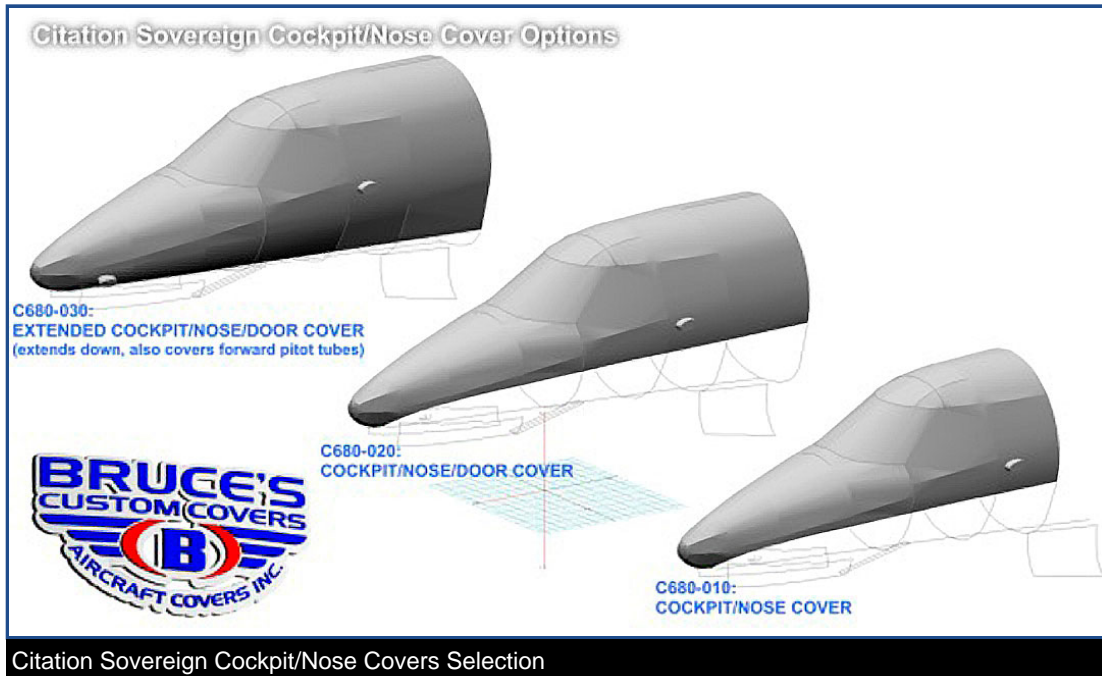


Tech Sheet: Cessna Citation Sovereign (680)

(cessna-C680.pdf)



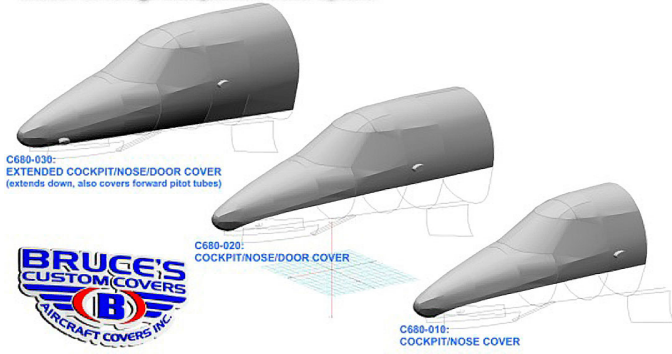
Section 1: Canopy/Cockpit/Fuselage Covers

The **Cessna Citation Sovereign (680) Cockpit/Nose Cover** helps reduce damage to the upholstery and avionics caused by excessive heat and can eliminate problems caused by leaking door and window seals. They keep the windshield and window surfaces clean and help prevent vandalism and theft.

The **Cessna Citation Sovereign (680) Cockpit/Nose Cover** is designed to cover the windshield and side windows of the cockpit. Attachment buckles are made of nonmetal *Delrin*, designed for rugged outdoor use. The windshield cover comes with a duffle bag. The N-number can be imprinted onto the cover for an extra charge. The windshield cover is trimmed in the colors of the aircraft.

This cover type is made from Silver Acrylic Sunbrella canvas and is 100% lined with a soft and smooth microfiber. Bruce's Custom Covers developed this material combination especially for aircraft protection. The outer material is medium weight and treated for water resistance, UV resistance and anti-static buildup. The inner lining is a very soft and smooth microfiber to prevent scratching. The material is very reflective, and tests show that the cabin interior temperature can be reduced to near-ambient temperature on the hottest of days. It is water, ice and snow repellent, yet breathable to allow moisture to escape from between the cover and the aircraft surface.

Citation Sovereign Cockpit/Nose Cover Options



Citation Sovereign Cockpit/Nose Covers Selection



Cessna Citation Nose/Cockpit Cover, Engine Covers

Description	Part Number	Price
COCKPIT/NOSE COVER, doesn't cover Pitot tubes	C680-010	\$2010.00
COCKPIT/NOSE COVER, also covers Pitot tubes	C680-020	\$2510.00
COCKPIT/NOSE/DOOR COVER, covers Pitot tubes	C680-030	\$3150.00

Section 2: Engine Covers

The **Cessna Citation Sovereign (680) Bikini Style Engine Covers** are a single-piece design using a soft and smooth stretchy fabric. The cover stretches tightly over both the intake and exhaust, installing quickly and easily. These covers are designed to be used as hangar dust covers and have a useful life of approximately one year.

The **Cessna Citation Sovereign (680) Intake Covers** are designed to install easily yet be completely storable. A spring steel hoop is sewn into the hem of each cover, allowing them to be installed without climbing onto the wing or using a stepladder. To store the covers the spring steel hoop folds like a band-saw blade into three nesting rings. Each cover folds into a compact circular bundle which is stored in the included duffle bag, yet they unfold quickly for use. The Tri-Fold Ring cover is made of medium weight nylon which is available in a variety of colors to match the paint trim. Each cover set comes complete with installation and folding instructions. The aircraft's registration number can be silkscreened onto the cover for an extra charge.

The **Cessna Citation Sovereign (680) Intake/Exhaust Plugs** are custom fit for the intake and exhaust openings, made with heavy-duty vinyl material, and stuffed with a single block of sculpted urethane foam. Each plug has a zipper that allows the foam to be removed and dried if necessary. Engine plugs have 'remove before flight' streamers sewn onto the face of the plugs. Most plugs are imprinted with the aircraft registration number in black. Engine plugs may be inserted after flight when the engine is still warm. Engine Inlet Plugs are commonly referred to as Cowl Plugs, Intake Plugs, Cowl Blocks, Engine Blocks, and Engine Bungs.



Citation XL Bikini Style Engine Covers



Citation XL Bikini Style Engine Covers

Description	Part Number	Price
INTAKE COVERS (set of 2)	C680-100	\$890.00
INTAKE/EXHAUST COVER SET (set of 4)	C680-102	\$1560.00
INTAKE COVERS/EXHAUST PLUGS, folding type (set of 4)	C680-105	\$1730.00
EXHAUST COVERS (set of 2)	C680-116	\$720.00
ENGINE COVERS, Hangar Use, Bikini Type (set of 2)	C680-800	\$785.00

Section 3: Plugs & Protection

Cessna Citation Sovereign (680) Heat Resistant Pitot Tube Covers, are made of Naugahyde vinyl, and lined with a non-burning material. They are designed to cover the entire pitot assembly, slipping over the tube and tightening around the base with a Velcro strap detail. A "Remove Before Flight" streamer is attached to the cover. **Heat Resistant Pitot Covers** are an upgrade to our standard design, and help prevent the pitot cover from melting onto the tube if the pitot heat is accidentally turned on while installed. If you want the set tethered together, please let us know.

The **Engine Exhaust Plugs** are custom fit for your Cessna Citation Sovereign (680) exhaust openings, made with heavy-duty vinyl material, and stuffed with a single block of sculpted urethane foam. Each plug has a zipper that allows the foam to be removed and dried if necessary. Exhaust plugs have 'remove before flight' streamers sewn onto the face of the plugs. Most plugs are imprinted with the aircraft registration number in black for an extra charge. Exhaust plugs may be inserted soon after flight when the engine is still warm. Engine Inlet Plugs are commonly referred to as Cowl Plugs, Intake Plugs, Cowl Blocks, Engine Blocks, and Engine Bungs.

The **Engine Inlet Plugs** are custom fit for your Cessna Citation Sovereign (680) intakes, made with heavy-duty vinyl material, and stuffed with a single block of sculpted urethane foam. Each plug has a zipper that allows the foam to be removed and dried if necessary. Engine plugs have 'remove before flight' streamers sewn onto the face of the plugs. Most plugs are imprinted with the aircraft registration number in black for an extra charge. Storage bag NOT included. Engine plugs may be inserted after flight when the engine is still warm. Engine Inlet Plugs are commonly referred to as Cowl Plugs, Intake Plugs, Cowl Blocks, Engine Blocks, and Engine Bungs.



Embraer S A EMB-545 Engine Inlet & Exhaust Plug Set (folding type)



Cessna Citation I Pitot Covers

Description	Part Number	Price
INTAKE PLUGS, includes starter generator plugs (set of 4)	C680-101	\$1200.00
STARTER GENERATOR PLUGS (below intake) (set of 2)	C680-103	\$190.00
GENERATOR & A/C EXHAUST PLUGS (bottom of nacelle) (set of 6)	C680-104	\$190.00
INTAKE PLUGS, folding type, includes starter generator plugs (set of 4)	C680-106	\$1350.00

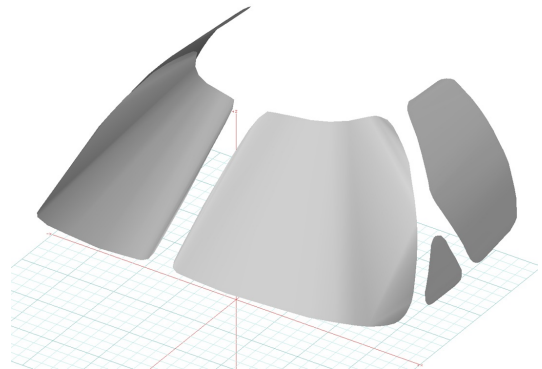
INTAKE/EXHAUST PLUG SET, folding type, includes starter generator plugs (set of 6)	C680-110	\$2410.00
EXHAUST PLUGS, folding type (set of 2)	C680-115	\$1005.00
APU EXHAUST PLUG	C680-120	\$185.00
PITOT COVER SET, heat resistant type (set of 3)	C680-201	\$260.00

Section 5: HeatShields & Sun Reflectors

Cockpit Heatshields are interior sunshades for the aircraft's cockpit. The product is a unique composite of closed-cell foam with a silver mylar finish. The semi-rigid design is stiff enough to stand inside the window framing. The set folds up flat and is easily stored in the included storage sleeve. Some designs may require velcro and suction cups. Our Heatshields for jets are offered white side out because some aircraft manufacturers have issued advisories against reflective window inserts due to potential heat damage. A Heatshield is an excellent short-term remedy for cockpit overheating, but an external fabric cover is more effective for long-term protection.



Cessna Citation 560XL Cockpit HeatShields



Cessna Citation Cockpit HeatShields (3D Model)

Description	Part Number	Price
COCKPIT HEATSHIELDS (set of 6)	C680-900	\$420.00

Section 6: Miscellaneous Products

Tire or Wheelpant Covers are designed to protect the wheelpants, or the tires and wheels, from sun damage and damage from the tow bar when moving the airplane.

ALL-YEAR USE MATERIAL - Made with Silver Acrylic Sunbrella canvas, the all-year use material is the best option for sun protection and cover longevity. This heavier more durable material is intended for all weather conditions, such as rain and snow or lots of sun.



Cessna Citation Nose Tire Cover

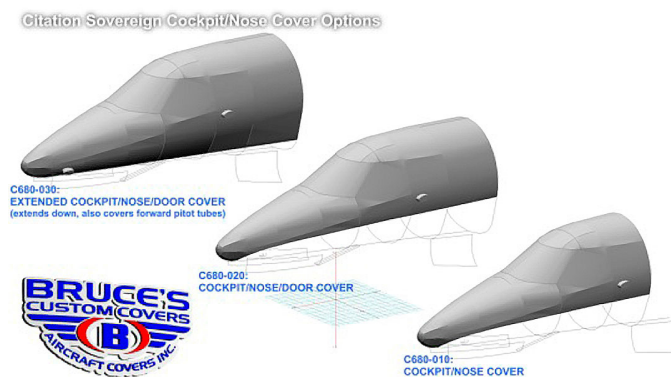
Description	Part Number	Price
TIRE COVERS (set of 6)	C680-370	\$680.00

Section 7: Light Weight Products: Travel Covers and FlyAway Covers

The **Cessna Citation Sovereign (680) Cockpit/Nose Cover** helps reduce damage to the upholstery and avionics caused by excessive heat and can eliminate problems caused by leaking door and window seals. They keep the windshield and window surfaces clean and help prevent vandalism and theft.

The **Cessna Citation Sovereign (680) Cockpit/Nose Cover** is designed to cover the windshield and side windows of the cockpit. Attachment buckles are made of nonmetal *Delrin*, designed for rugged outdoor use. The windshield cover comes with a duffle bag. The N-number can be imprinted onto the cover for an extra charge. The windshield cover is trimmed in the colors of the aircraft.

This cover type is made from Silver Acrylic Sunbrella canvas and is 100% lined with a soft and smooth microfiber. Bruce's Custom Covers developed this material combination especially for aircraft protection. The outer material is medium weight and treated for water resistance, UV resistance and anti-static buildup. The inner lining is a very soft and smooth microfiber to prevent scratching. The material is very reflective, and tests show that the cabin interior temperature can be reduced to near-ambient temperature on the hottest of days. It is water, ice and snow repellent, yet breathable to allow moisture to escape from between the cover and the aircraft surface.



Citation Sovereign Cockpit/Nose Covers Selection

Description	Part Number	Price
TRAVEL COVER, Light Weight Travel Cockpit/Nose Cover, doesn't cover Pitot tubes	C680-805	\$1610.00
TRAVEL COVER, Light Weight Travel Cockpit/Nose/Door Cover, also covers Pitot Tubes	C680-810	\$2520.00

Prices subject to change. Other Covers and Design Alterations: Prices on request.

Prices are FOB Morgan Hill, CA. Sales tax on orders shipped to California addresses. Orders take approximately 3 weeks to complete. For domestic orders we normally ship by UPS ground service. Next day shipping and air parcel post is available on request. We can take payment by Visa, Mastercard, American Express, or Discover.

Bruce's Custom Covers offers protective covers and plugs for virtually every type of airplane, jet and helicopter. If you have questions about our products please call any time TOLL FREE: 800/777-6405, or FAX: 408/738-2729.



A division of Aircraft Covers, Inc.

18850 Adams Ct.
Morgan Hill, CA 95037
www.AircraftCovers.com

Aircraft Cover Ordering Form

Customer Info	Name _____ Shipping Address _____ _____ Phone & Email _____
Payment	Credit Card Number <input type="text"/> <input type="text"/> <input type="text"/> <input type="text"/> <input type="text"/> <input type="text"/> <input type="text"/> <input type="text"/> <input type="text"/> <input type="text"/> <input type="text"/> <input type="text"/> <input type="text"/> <input type="text"/> <input type="text"/> <input type="text"/> <input type="text"/> Exp. Date <input type="text"/> <input type="text"/> / <input type="text"/> <input type="text"/> V-Code* <input type="text"/> <input type="text"/> <input type="text"/> <input type="text"/> <small>*Visa, Mastercard, Discover: last 3 numbers on back of card, right of signature. Amex: 4 smaller numbers printed on face of card.</small>
A/C Info	Reg / Tail Number: _____ Aircraft Type: _____ Year: _____ Colors / Paint Scheme (be specific): _____

Please specify below the items you would like to order.
See technical sheet or visit our website for part numbers (or just fill in the description)

	Part Number	Quant	Description	Price
1				
2				
3				
4				
5				
6				
7				
8				
9				
10				

Optional Items (check the box of the item you want)

Imprint aircraft registration number onto both sides of canopy cover.....\$35.00

Imprint aircraft registration number onto jet intake covers.....\$55.00

TOTAL